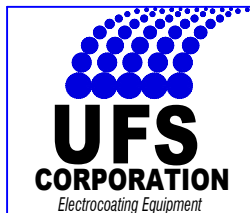
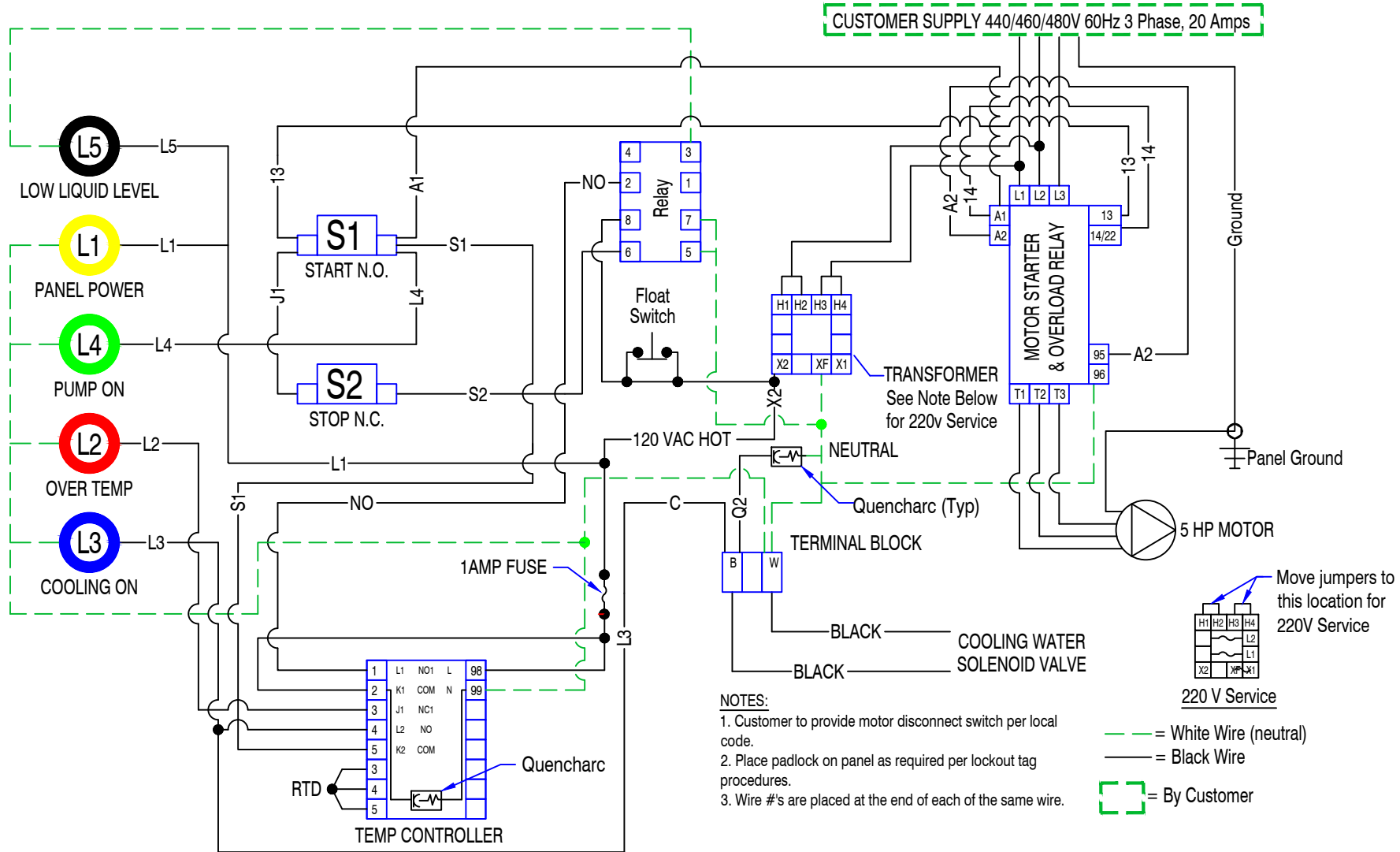


RevNo	REVISION	Date
1	Cooling Available only when pump is turned on	12/19/02
2	Updated due to new Temperature Control	6/15/10



Tel: +219-464-2027
Fax: +219-464-8646

Visit us on the Web at
www.ufsc.com

Designed By: JD
Date: 11/7/06

Approved By:
Date:

Pnl, CIP w/Cooling, 440/460/480V
Wiring Diagram

UFS Part No. **221033**

Sheet:	1/1
Revision:	1
Units:	mm[in]
Scale:	None

THIS MATERIAL IS THE CONFIDENTIAL PROPERTY OF UFS CORPORATION AND SHOULD NOT BE USED IN ANY WAY DETRIMENTAL TO THE CORPORATION'S INTEREST. MATERIAL SHOULD NOT BE COPIED OR REPRODUCED IN PART OR IN WHOLE, AND INFORMATION FROM IT SHALL NOT BE FURNISHED TO OTHERS WITHOUT WRITTEN PERMISSION. ALL RIGHTS OF DESIGN AND INVENTION ARE RESERVED BY UFS CORPORATION. MATERIAL TO BE RETURNED UPON REQUEST.